



\$595
Ranges to 1,000 lb

**LC401/LC411 Series
Compression**

0-50 lb to 0-400 klb
0-200 N to 0-1.8 MN

LC401 = Cable Style
LC411 = Connector Style

1 Newton = 0.2248 lb
1 daNewton = 10 Newtons
1 lb = 454 g
1 t = 1000 kg = 2204 lb

- ✓ All Stainless Steel for Harsh Industrial Applications
- ✓ 0.25% Interchangeable for Multiple Load Cell Applications
- ✓ 5-Point Calibration Provided
- ✓ FM/CSA Intrinsically Safe Standard

**Models Available with
Built-In Amplifiers**

For Sales and Service
In U.S.A. and Canada

**1-800-872-3963SM
1-800-USA-DYNE**

International Customers Dial
(614) 965-9340
24-Hour FAX (614) 965-9438

OMEGADYNESM FAX

OMEGADYNE's 24-Hour
On-Line Publishing Service

**1-800-344-3963SM
1-800-DIG-DYNE**

Document # 3640

OMEGADYNE, Inc.

149 Stelzer Court, Sunbury, OH 43074

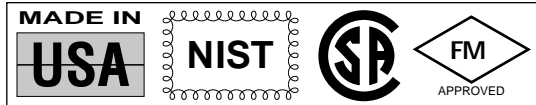
<http://www.omegadyne.com>

e-mail: info@omegadyne.com

© COPYRIGHT 1996 OMEGADYNE, INC. ALL RIGHTS RESERVED.



Printed On Recycled Paper



**SPEC SHEET
LC401/411**

*Interchangeable with
Model TH-LPC*

**HIGH ACCURACY LOW PROFILE
COMPRESSION LOAD CELL**
for Industrial Weighing Applications



Model LC411-20K \$975
Shown Smaller Than Actual Size

➔ **Most Popular Models Highlighted** ◀

Prices Shown in U.S. Dollars

To Order: (Specify Model Number)

Capacity (lb)	Cable Style Model No.	Connector Model No.	Price	Compatible Meters	
0-50	LC401-50	LC411-50	\$595	INFW, INFS, INFCS	
0-100	LC401-100	LC411-100	595	INFW, INFS, INFCS	
0-250	LC401-250	LC411-250	595	INFW, INFS, INFCS	
➔ 0-500	LC401-500	LC411-500	595	INFW, INFS, INFCS	◀
➔ 0-1,000	LC401-1K	LC411-1K	595	INFW, INFS, INFCS	◀
0-1,500	LC401-1.5K	LC411-1.5K	635	INFW, INFS, INFCS	
0-2,000	LC401-2K	LC411-2K	635	INFW, INFS, INFCS	
0-3,000	LC401-3K	LC411-3K	635	INFW, INFS, INFCS	
➔ 0-5,000	LC401-5K	LC411-5K	635	INFW, INFS, INFCS	◀
➔ 0-10,000	LC401-10K	LC411-10K	790	INFW, INFS, INFCS	◀
0-15,000	LC401-15K	LC411-15K	790	INFW, INFS, INFCS*	
➔ 0-20,000	LC401-20K	LC411-20K	975	INFW, INFS, INFCS*	◀
➔ 0-25,000	LC401-25K	LC411-25K	975	INFW, INFS, INFCS*	◀
➔ 0-50,000	LC401-50K	LC411-50K	1150	INFW, INFS, INFCS*	◀
0-75,000	LC401-75K	LC411-75K	1150	INFW, INFS, INFCS*	
➔ 0-100,000	LC401-100K	LC411-100K	1390	INFW, INFS, INFCS*	◀
0-200,000	LC401-200K	LC411-200K	1850	INFW, INFS, INFCS*	
➔ 0-300,000	LC401-300K	LC411-300K	2200	INFW, INFS, INFCS*	◀
0-400,000	LC401-400K	LC41-400K	3100	INFW, INFS, INFCS*	

*4 Digit meter
Interchangeable with Model TH-LPC Metric Ranges Available – Consult Engineering.

To order Dual Bridge Models add suffix "-DUAL" to the model number;
Price: <5000 lb add \$250, >5000 lb add \$350

Note: Models >300,000 lb are calibrated at 300,000 lb – see specifications.

Ordering Examples: 1.) LC401-100K- is a 100,000 lb capacity cable style load cell \$1390
2.) LC401-1K is a 1,000 lb capacity cable style load cell, \$595

3.) LC411-10K-DUAL is a 10,000 lb capacity connector style load cell with the dual bridge option,
\$790 + 350 = \$1140; Mating connector, two required, (not included) PT06F-10-6S, \$26.50 ea.

HIGH ACCURACY LOW PROFILE COMPRESSION LOAD CELL for Industrial Weighing Applications

LC401 = Cable Style

LC411 = Connector Style

SPECIFICATIONS:

Output: 3 mV/V $\pm 0.25\%$

Excitation: 10 Vdc (15 Vdc max)

Accuracy Class: 0.1% FSO

Calibrated at 0%, 50%, 100%, 50%, 0%

Note: Models >300,000 lb are calibrated to 300,000 lb. Full scale calibration above 300,000 lb within $\pm 1\%$ available. Add Suffix "-FS" to the model number and \$1,500 to price.

Linearity: >3000 lb: 0.10% FSO;
≤3000 lb: 0.13% FSO

Hysteresis: >3000 lb: 0.10% FSO;
≤3000 lb: 0.12% FSO

Repeatability: 0.05% FSO

Zero Balance: $\pm 1\%$ FSO

Agency Approval: FM/CSA Intrinsically Safe IS/I.II.III/1/CDEFG Standard

Operating Temp. Range:

-54° to 127°C (-65° to 260°F)

Compensated Temp. Range:

16° to 71°C (60° to 160°F)

Thermal Effects:

Zero: 0.0025% FSO/°F

Span: 0.0035% Rdg/°F

Safe Overload: 150% of Capacity

Ultimate Overload: 300% of Capacity

Bridge Resistance: 350 ohms

FS Deflection: .001 to .003 in. typical

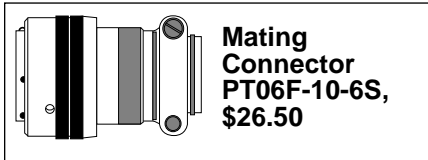
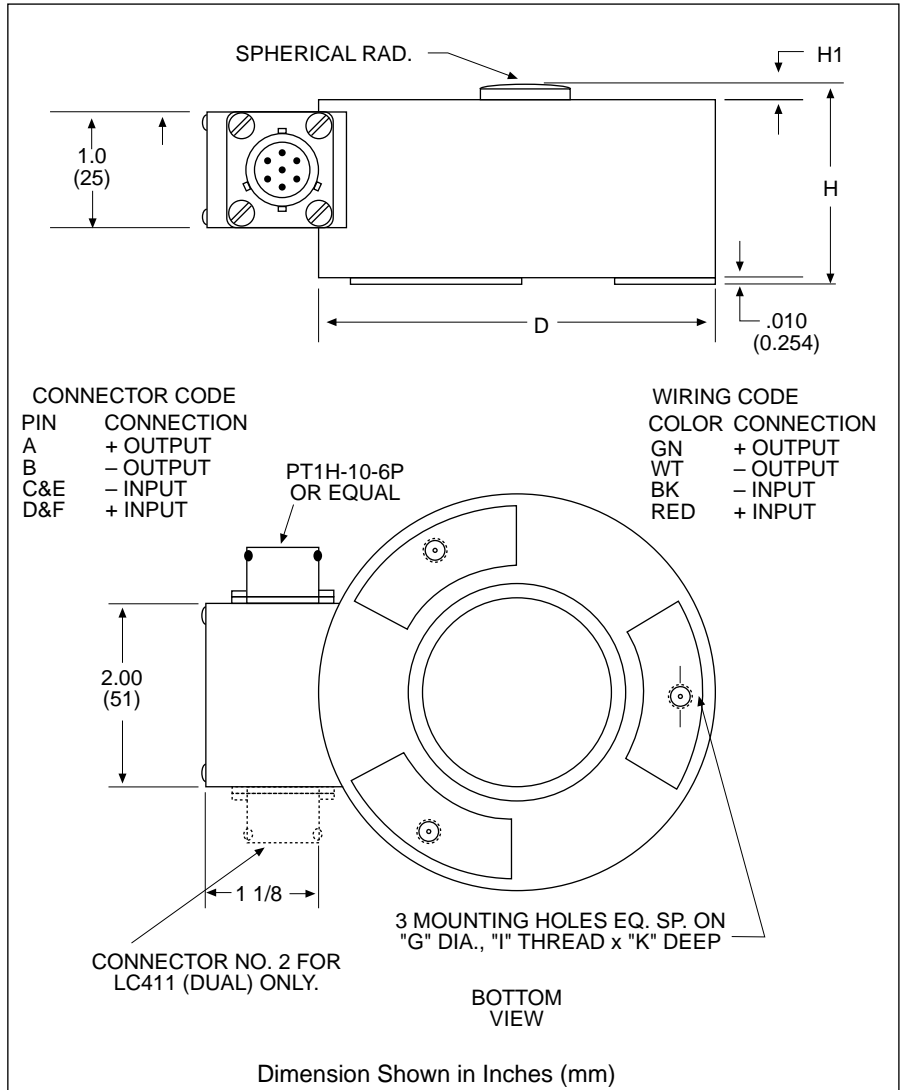
Construction: 17-4 PH Stainless Steel

Electrical Connection:

LC401: 15 ft (4.8m) 4-Conductor shielded PVC Cable

LC411: DT02H-10-6P Twist lock connector.

Mating Connector: PT06F-10-6S (not included)



Dimension Shown in Inches (mm)

Capacity (lb)	D	H	H1	K	G	I
50-10,000	2.62 (66)	1.25 (32)	.09 (2.3)	.25 (6.4)	2.188 (56)	6-40 UNF-2
15,000-25,000	3.25 (83)	1.62 (41)	.09 (2.3)	.25 (6.4)	2.719 (69)	10-32 UNF-2
50,000-75,000	5.00 (127)	2.50 (64)	.12 (3.0)	.25 (6.4)	4.125 (105)	5/16-24 UNF-2
100,000	6.00 (152)	3.50 (89)	.15 (3.8)	.37 (9.4)	4.875 (124)	7/16-20 UNF-2
200,000	8.00 (203)	4.75 (121)	.18 (4.6)	.50 (13)	6.438 (164)	3/8-18 UNF-2
300,000	9.00 (229)	4.75 (121)	.18 (4.6)	.63 (16)	7.500 (191)	1/2-16 UNF-2
400,000	10.00 (254)	4.75 (121)	.25 (6.4)	.75 (19)	8.500 (216)	5/8-14 UNF-2

Look for OMEGADYNE Products on the World Wide Web!

<http://www.omegadyne.com>

e-mail: info@omegadyne.com